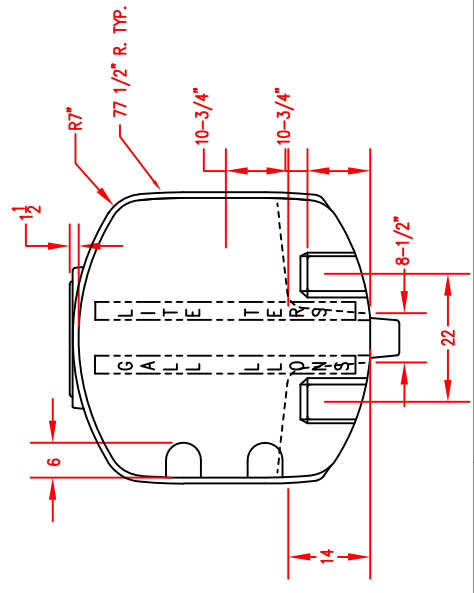
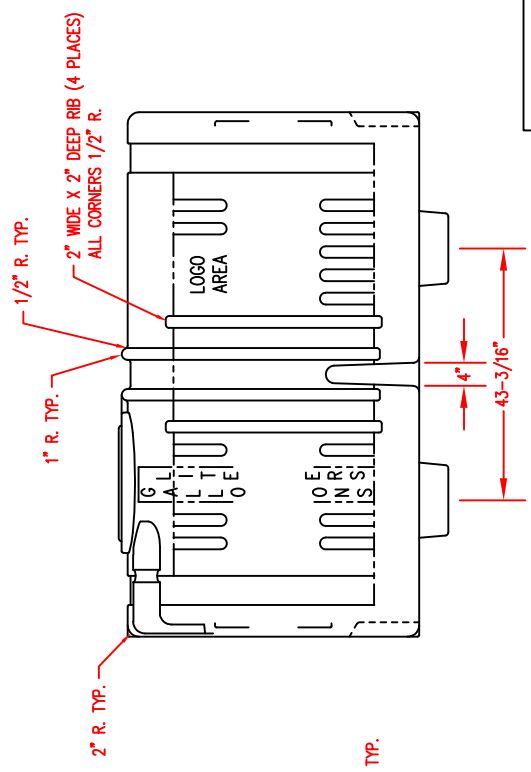
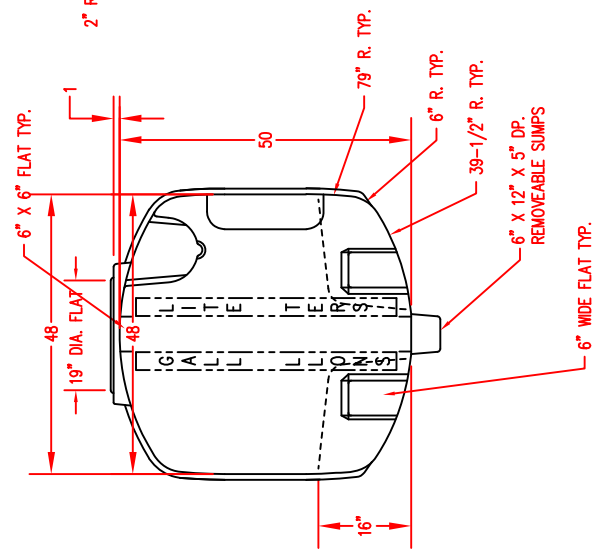
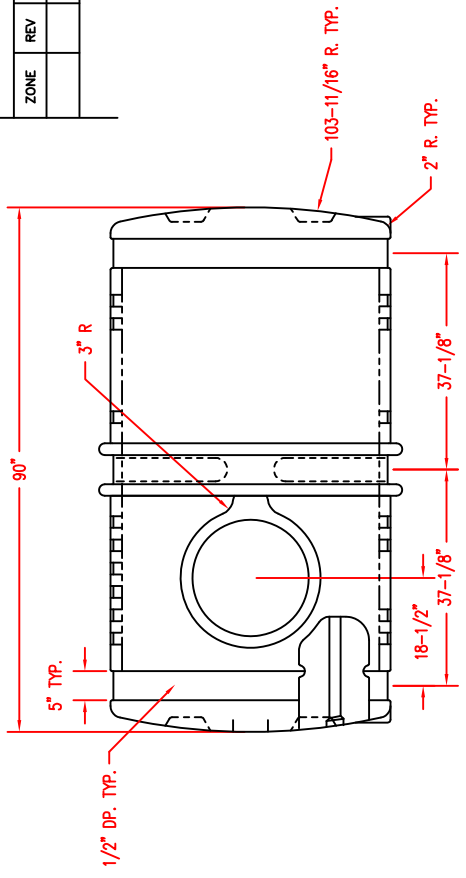


REVISIONS				
ZONE	REV	DESCRIPTION	DATE	APPROVED



750 GALLON CROP CARE TANK

JTP	31MAR10	SIZE FSCM NO. B	DWG. NO. P/N	REV
SCALE 1/24			SHEET	